

Sanding and denibbing machine

DiscMaster ECO 2DBB-1000



LÖWER

LÖWER-DiscMaster ECO 2DBB-1000

brush sanding machine for fibre sanding, finish sanding and denibbing with 2 rows of discs and 2 brush sanding rollers

Double disc-station:

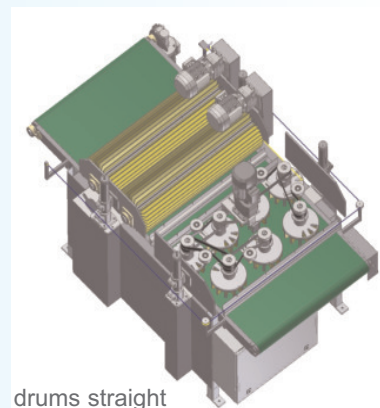
- 7 sanding discs in 2 rows, 250mm diameter, each with 24 keyways 75mm long
- excentric orbital disc movement (patent pending)
- gearmotor 1,5 kW
- variable disc speed 50-350rpm by frequency converter
- separate manual height adjustment of the disc-station including digital Siko read out
- selection switch for direction of discs clockwise/counterclockwise (finer grit size/coarser grit size)
- hold down brushes before and behind each row of disc for holding down short workpieces

brush rollers:

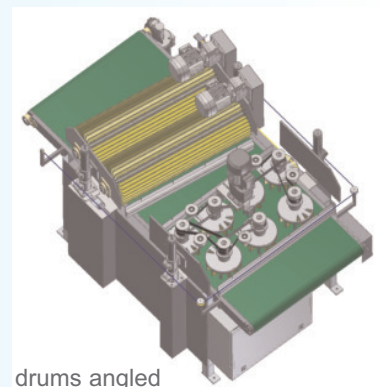
- two grooved aluminium sanding rollers which can be angled 0- 10°, dia. 180mm (maximum brush diam. 300mm)
- variable rotation speed of spindles 100-600rpm by frequency converter (pairwise)
- first spindle rotating with the feed, second spindle rotating against the feed
- switch turning direction cw/ccw (pair wise)
- gear motor each spindle 0,75kW
- manual setting of workpiece thickness including digital read out
- hold down brushes before and behind each roller

basic machine:

- throughfeed machine with conveyor belt running over table
- variable throughfeed speed 2-10m/min by frequency converter
- constant throughfeed height, fixed table
- max. thickness of workpiece 100mm
- emergency-off-pull cord
- dust extraction outlets diameter 4 x 120mm
- operating voltage: 400 Volt, 50Hz
- length x width x height (mm): 2300x1400x1600
- weight: 850 kg
- including first set of Smart-Flex Eco sanding strips
- confirms with CE



drums straight



drums angled

CE

Jim's Machines and Accessories
Agents for Sales & Service in Australia and New Zealand
Call: +61(0)414646212
Mail: omsjma@iprimus.com.au
Or visit Loewer directly www.loewer-online/wood/en

Jakob LÖWER Maschinenfabrik
Inh. v. Schumann GmbH & Co. KG
Am Wasser 4, D-34576 Homberg
www.loewer-maschinen.de