

LASER TRACKER DEVICE

European Type Universal Clamping

Speed and precision repay your work.

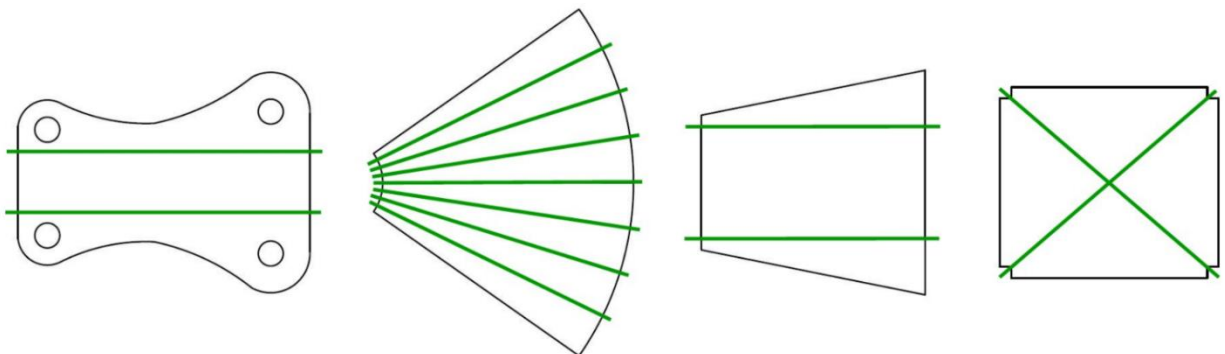
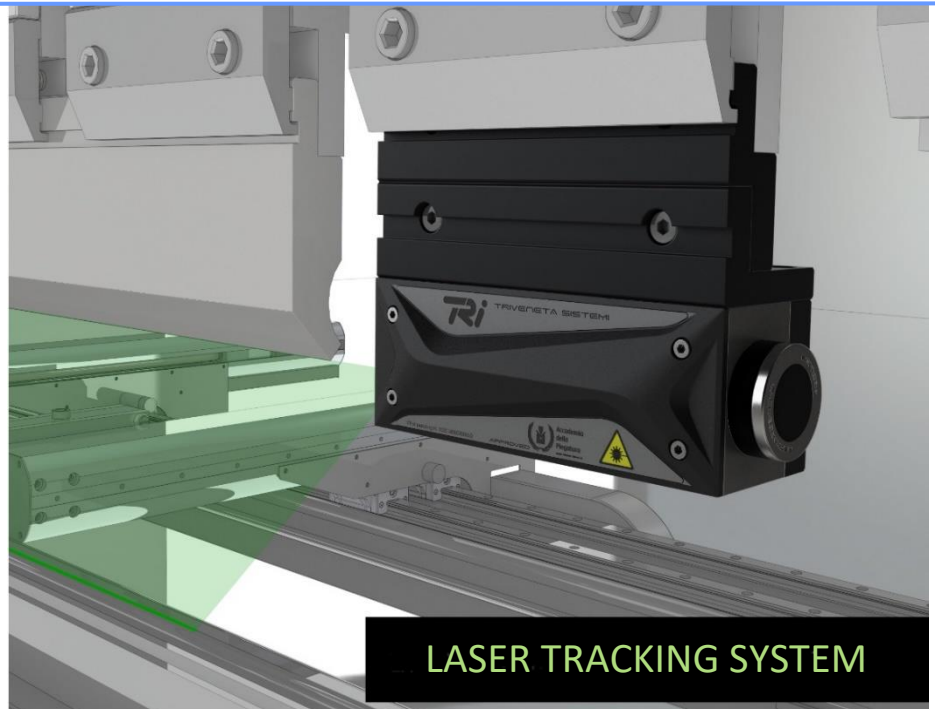
- *How many pieces did you throw this year?*
- *How much time did you waste?*
- *How much money did you get for this?*

With JMA's Bending Line Sniper **eliminate positioning errors** for irregular shaped parts using the Laser Beam to pickup the bending marks or target points easily.

Especially with large pieces, diamond-cut, calendaring and irregular or conical shapes JMA's new Bending Sniper is an unbeatable tool:

**UP TO 67% OF THE TIME
SAVED IN THE POSITIONING**

*(data based on real tests
and simulations)*



Bend Line Sniper draws a **high-visibility laser beam on the piece** to be bent in order to simulate the fold line. All that remains for the operator is to **match the references traced on the piece to the line that has been projected**

The advantage of Bend Line Sniper is it can be mounted quickly and accurately to any compatible machine

GUARDA IL VIDEO



Another big advantage of Bend Line Sniper is the ability to be used, on **large machines** with two possibilities:

- **SINGLE**: with a single device perfectly centered
- **TWIN**: with two mirrored mounted devices

This is possible because Bend Line Sniper has a **symmetrical and reversible body** and can therefore be turned upside down and **emit the beam from left to right and vice versa**.

Equipped with rechargeable batteries and battery charger as standard, the Bend Line Sniper is very easy to install and ready to use whenever it is required, on any tool compatible press brakes. (other types of clamping are available)

LASER TECHNICAL CHARACTERISTICS

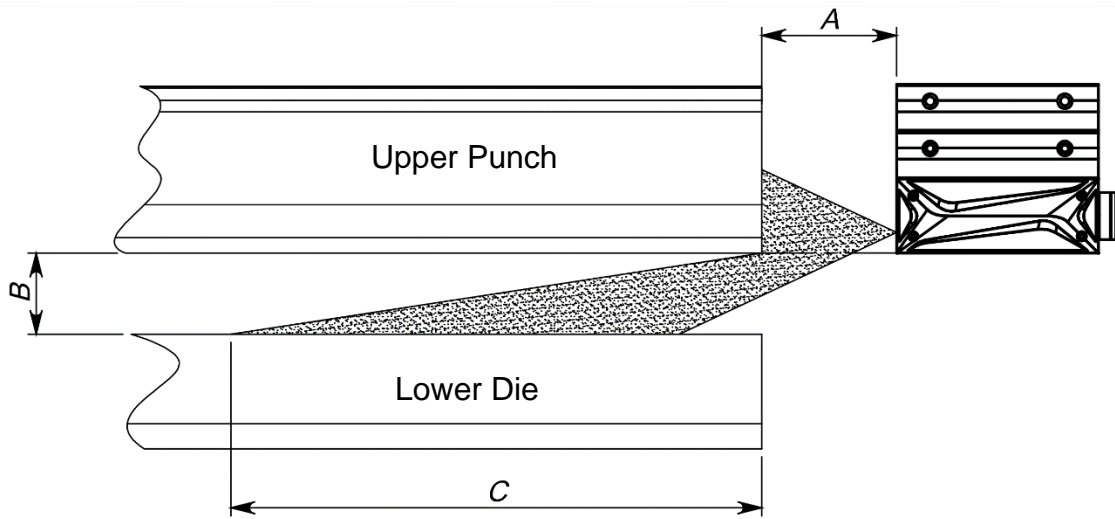
Wavelength: 532nm
Output power: <5mW,
Exit mode: continuous
Input voltage: 3.7 V DC
Operating current: <300mA (<600mA for 50mW)
Operating temperature: 20 ° C-30 ° C
Beam: line (90 ° opening)
Divergence: 1.4mrad
Average life:> 4000 hours
Casing material: brass
Length: 31mm
Diameter: 12mm

BATTERY CHARGER TECHNICAL CHARACTERISTICS

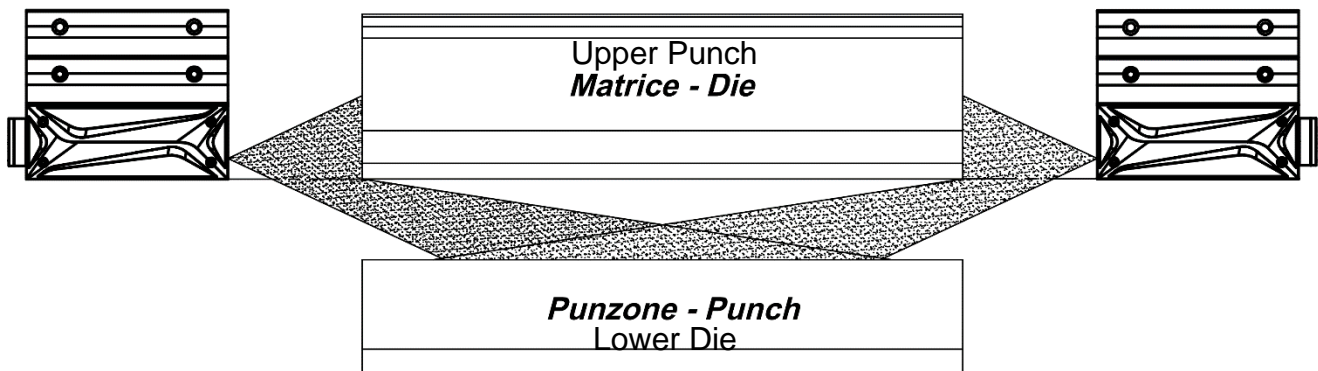
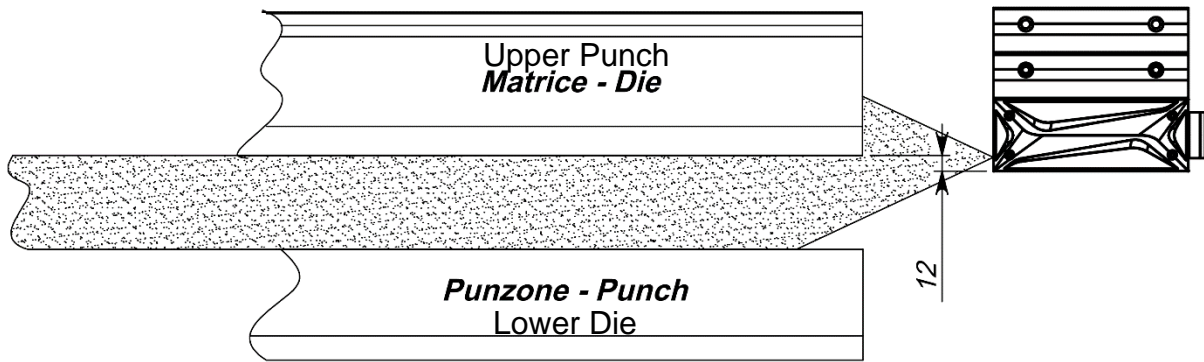
Keenstone 26650 Universal 2 Slot Battery Charger
LCD screen
Supplied Nr. 2 Rechargeable batteries
Batteries: Li-Ion SAMSUNG INR18650-35E 3.6V 3000mAh

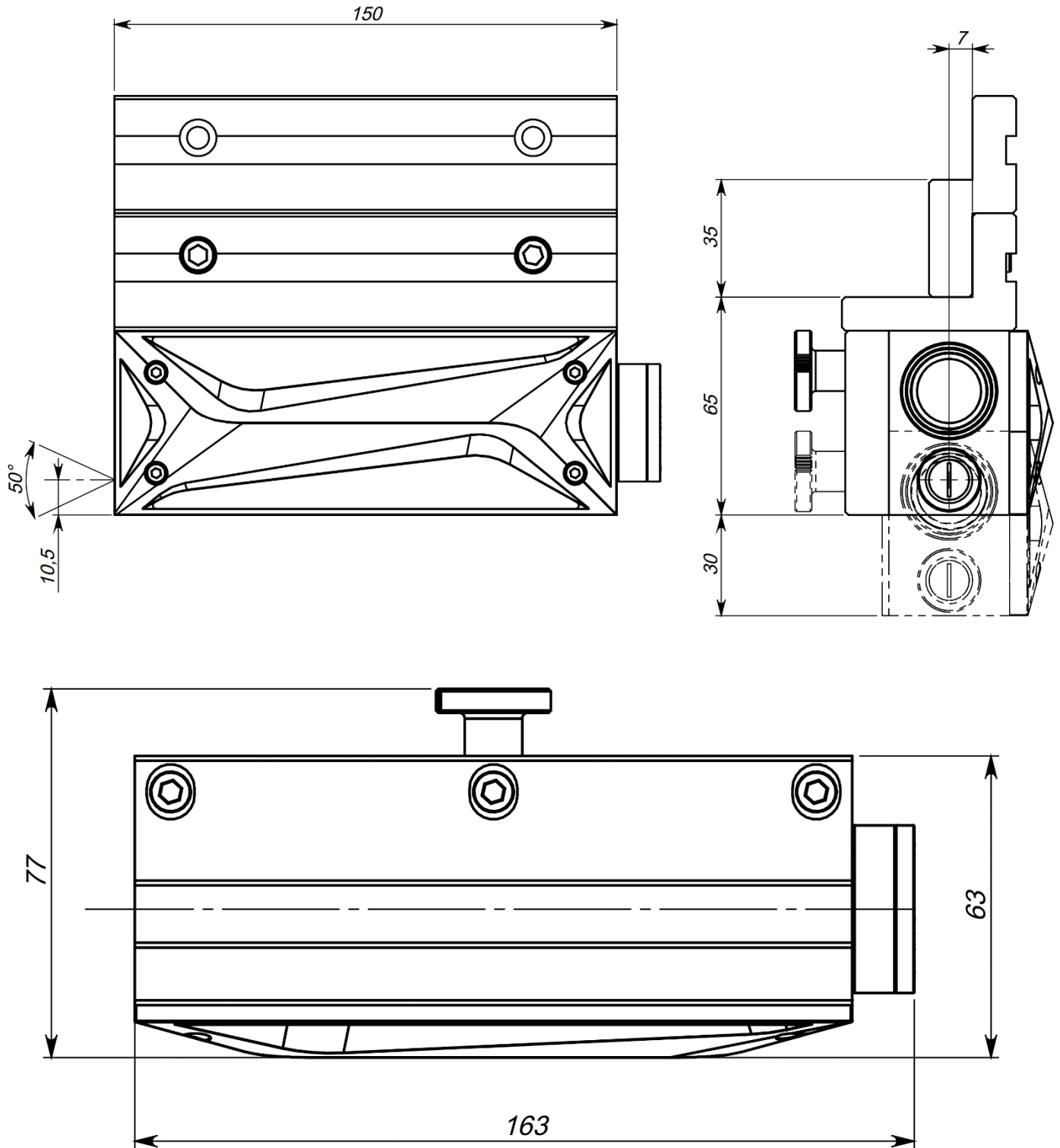
DURABILITY VISIBILITY RAY

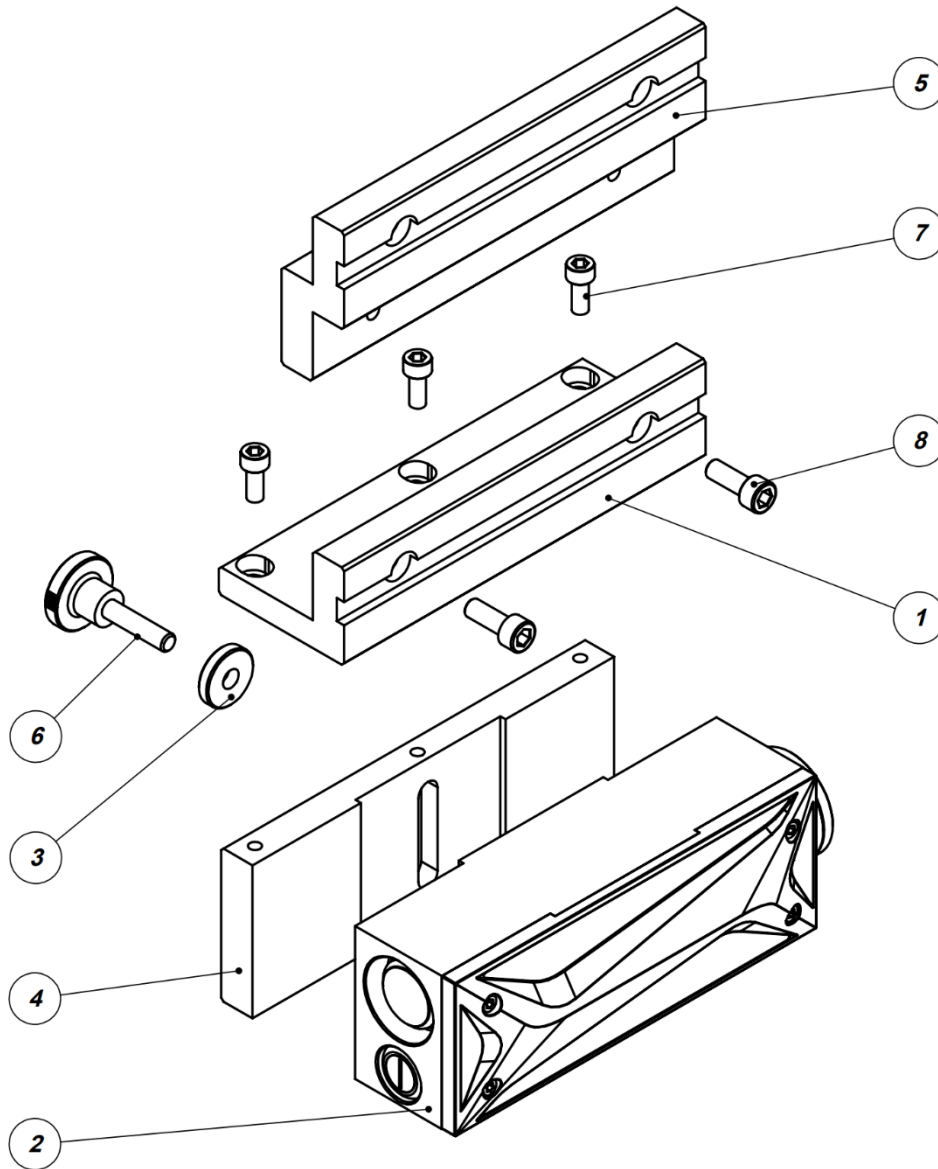
Continuous duration: 10 hours
Supplied batteries: 2
Supplied battery life: 10 hours each



	B 100	B 150	B 200
A 100	C 900	C 1300	C 1800
A 200	C 1800	C 2800	C 3600
A 300	C 2800	C 4200	C 5500







Position	Code	Description	Q.ty
1	25072122	Upper plate	1
2	25072001	Laser Sniper	1
3	25075117	Washer	1
4	25072123	Side plate	1
5	25072124	Extension wire 100-130	1
6	90100223	Knob type DIN 464 M6x25 GN.29729	1
7	90020516	Screw type TCEI M5 x 12 UNI 5931 inox	3
8	90020602	Screw type TCEI M6 x 16 UNI 5931 inox	2