

DEBURRING AND EDGE ROUNDING MACHINE FOR SHEET METAL PARTS



FOR LASER-CUT, PLASMA-CUT AND PUNCHED SHEET METAL
FOR FOILED, ZINC-PLATED AND 3D PARTS
FOR STEEL, STAINLESS STEEL, ALUMINIUM

DiscMaster 2TD

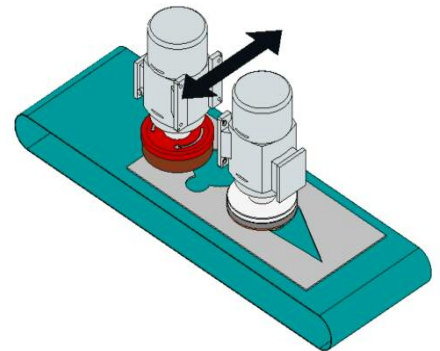
Deburring and edge rounding in one pass

The DiscMaster 2TD-500 is equipped with one large deburring discs and one large edge rounding discs. The discs oscillate continuously over the workpiece during the through feed.



How it works: The 360° processing principle

The workpiece passes through the machine on a conveyor belt. A rotating deburring disc and a rotating edge rounding disc, oscillate continuously over the workpiece during throughfeed. All inside and outside edges are processed uniformly from all angles and directions. The workpieces are placed on a high-friction feed belt. Spring mounted hold down rollers push the workpiece under the discs. The disc tools also push the workpiece against the feed belt during operation so it is possible to process even very small workpieces starting from 20 x 20mm.



Our tools

Laser job shops have to contend with numerous different finishing tasks. The DiscMaster 2TD addresses this by offering a large variety of disc tools and abrasives which can be replaced easily and quickly thus making the machine versatile and efficient.



The **SoftDisc** with surface conditioning abrasives is ideal for deburring aluminium or steel parts.



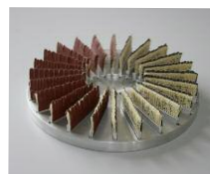
Our protected **CompactDisc** with ceramic abrasive removes high burrs and spatter on stainless steel.



The **MediumDisc** is the first choice for edge rounding and is available in different compressions and grit sizes.



The **OrbitalDisc** for creating a non-directional finish with the Löwer Orbital device for which there is a patent pending.



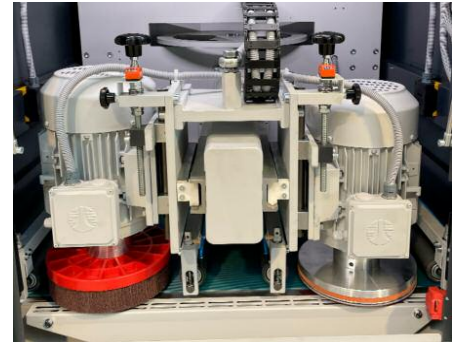
The **SmartFlexDisc** is very open and works well for edge rounding zinc-plated, foiled or 3D-parts.



The **OxideDisc** with angled wire brushes removes oxide on the side edges of laser-cut steel parts.

The DiscMaster 2TD-500 is equipped with one large deburring discs and one large edge rounding discs. The discs oscillate continuously over the workpiece during the through feed. This unique technology has several advantages:

- Deburring and edge rounding in one pass
- All inside and outside edges are processed from all angles and directions
- working width 500mm and for small parts from 20 x 20mm
- Uniform wearing of abrasive tools irrespective of the size of the workpiece or where it is placed on the conveyor belt. The machine can therefore process wider parts without having to calibrate any tools.
- When processing mixed materials (i.e. steel / stainless- steel) the tools must be changed. The two discs on the DiscMaster 2TD can be changed within minutes.
- A large variety of disc tools are available on the market. This keeps tooling costs down and increases the versatility of the machine.
- Low investment, low tooling costs and low operating costs ensure a speedy return on investment.



Setting for deburring, edge rounding in one pass



Control panel

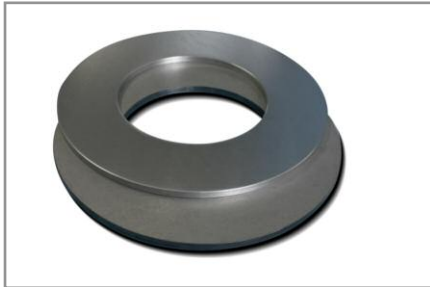


Rotating cleaning brush for feed belt (optional)

DiscMaster 2TD



Aluminium



Steel



Stainless steel



Small parts

Technical data

Standard features DiscMaster 2TD-500

- Max. working width 500mm, workpiece thickness 0,3 - 100mm
- one disc on infeed side, one disc on outfeed side, each 2,2kw, 750 rpm, diameter 250mm, separate height adjustment for compensation of tool wearing
- Oscillation by gear motor 0,75kW, infinitely variable oscillation speed
- High friction feed belt with infinitely variable feed speed 1-5m/min.
- motorized height adjustment of workpiece thickness using push buttons up/down incl. electronical digital display
- separate switch for tool change, machine open automatically to max. height of work piece
- 4 spring loaded hold down rollers with pneumatically controlled lifting device
- Brush strips under feed belt for wiping off dust on the feed belt
- Dust extraction connection 1 x 200mm diameter
- 400V, 50Hz, 3P, compressed air connection
- Length 1650mm, width 1300mm 950kg

Optional Extras

- Infinitely variable rpm of discs 400-1600RPM using two frequency inverters (for infeed disc and outfeed disc separately)
- Integrated rotating cleaning brush for feed belt
- Automatic setting of workpiece thickness by limit switch